

## PROJECT INFORMATION

Project Name: \_\_\_\_\_

## STANDARD SPECIFICATIONS

- 1" Diameter Post & Bracket in Brushed Stainless Steel Finish
- 3/8" Clear Tempered Front Glass Panels (max. span 66")
- 1/4" Clear Tempered Glass End Panels
- 1" Radius Glass Corners

## OPTIONS AND ACCESSORIES

### NSF-LISTED FINISH OPTIONS

- Brushed Stainless (Standard)
- Gloss Black

### GLASS THICKNESS

- 1/4" Clear Tempered Front Glass Panels (max. span 54") - not for shelves
- 3/8" Clear Tempered Front Glass Panels (max. span 66") (Standard)
- 1/2" Clear Tempered Front Glass Panels (max. span 72") - for shelf or span more than 66"

### GLASS FINISHES

- Clear (Standard)
- Low Iron
- Frosted
- Frosted Logo/Imprint
- Pattern

### GLASS CORNERS

- 1" Radius Corners (Standard)
- Square Corners

## LIGHT OPTIONS

Model #	Description
<input type="checkbox"/> 2580	BSI Slimline LED Light

All BSI light units are UL Listed. See light spec sheets for detailed information. Also available with other manufacturers' light units. Contact BSI for details.

## MOUNTING STYLES (SELECT ONE)

See installation page for more details.

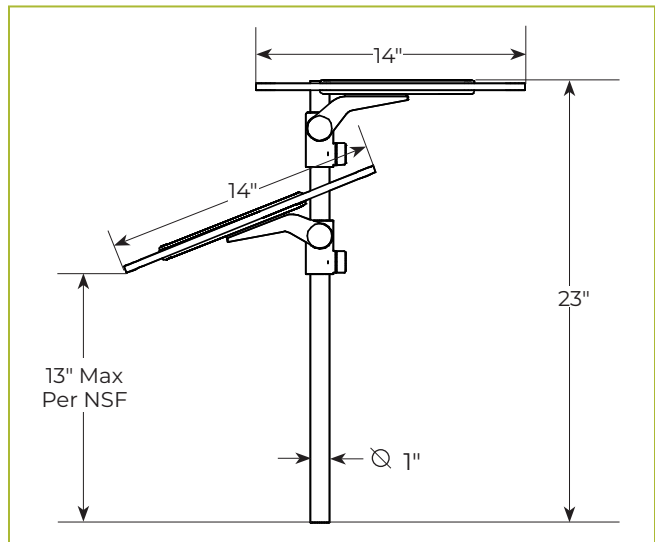
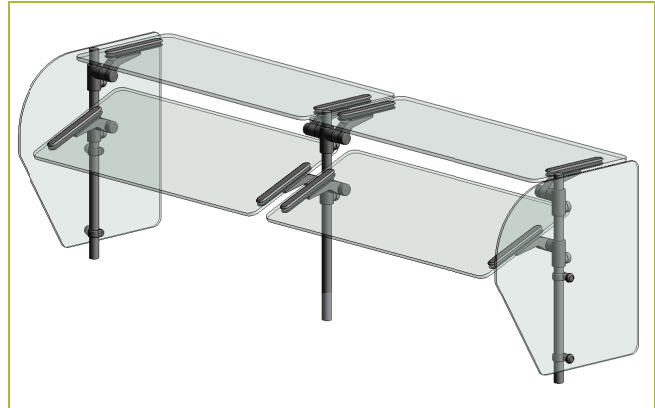
**Above Counter:** Stainless Steel Counter

**Under Counter:** Stainless Steel Counter  
(Requires under-counter reinforcement and access.)

**Above Counter:** Millwork Counter

**Under Counter:** Millwork Counter  
(Compression installation not recommended for solid surface countertops.)

## AG2500-2 Self Serve w/ Top Shelf, L-Shaped Post



To meet NSF guidelines, end panels are included on all BSI quotations unless specifically excluded. (See end panel page for more details.)

- EZ Mount - 2" x 8" Flange
- Heavy-Duty, Inverted Flange
- Heavy-Duty, Upright Flange
- Heavy-Duty Flange
- Heavy-Duty, Inverted Flange
- Heavy-Duty, Compression Flange
- Narrow, Inverted Flange
- Narrow, Upright Flange
- Narrow Flange
- Narrow, Inverted Flange
- Narrow, Compression Flange